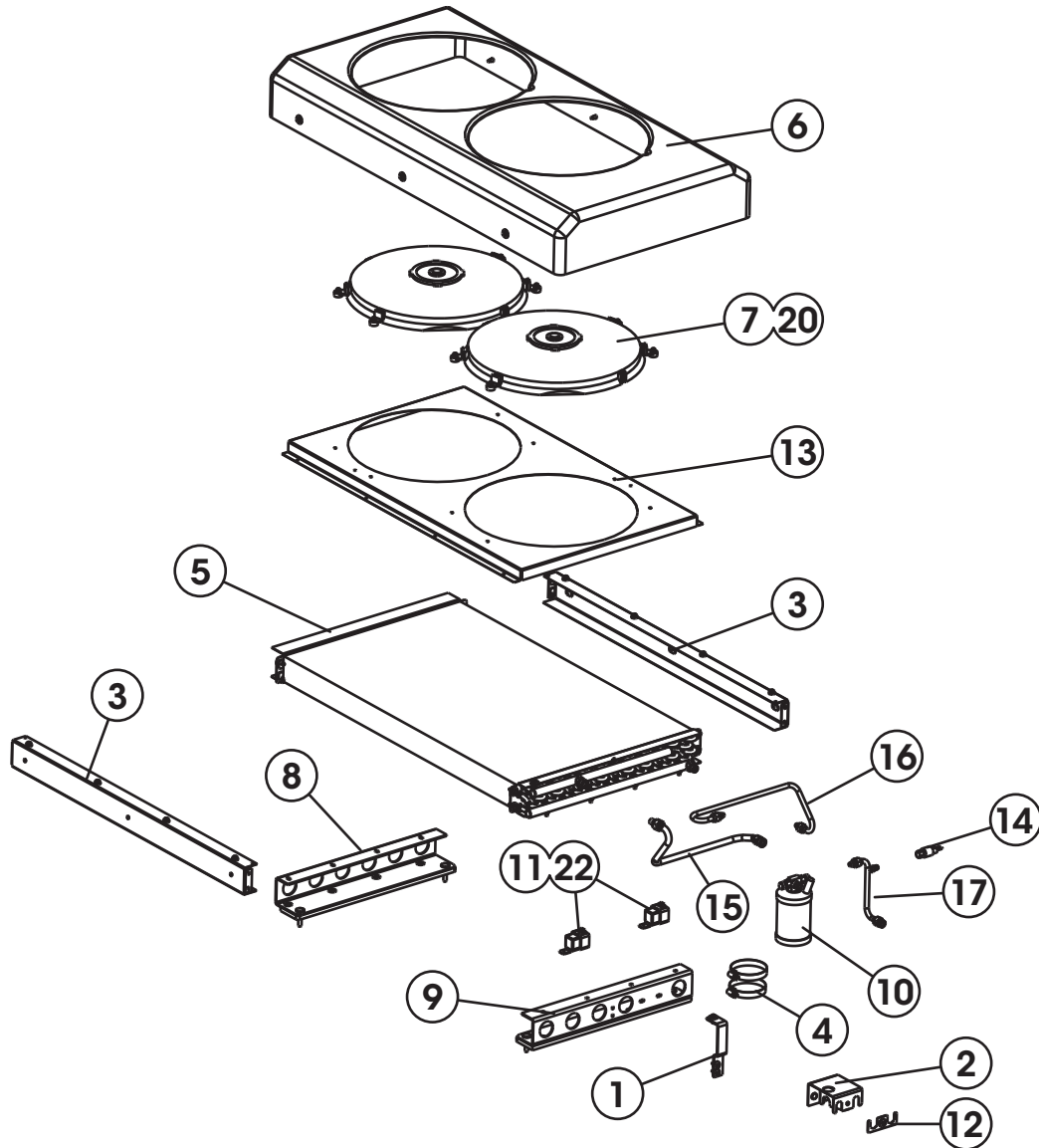


Condenser Roofmount R-4500-8

SERVICE PARTS LIST



ITEM	NOTE	PART NO.	DESCRIPTION	CAT. NO.
1		RD-4-5047-1P	Bracket Assembly-Drier	
2		RD-4-5053-0P	Bracket Assembly-Support	
3		RD-4-5044-2P	Channel Assembly Cover	
4		RD-5-4035-52P	Clamp	70R5650
5		RD-4-5045-0P	Coil Assembly	77R0990
6		RD-4-5041-0P	Cover-Condenser	
7		RD-5-8785-4P	Fan/Motor Assembly- Puller	73R8592
8		RD-4-5042-1P	Leg Assembly- Mounting Left	
9		RD-4-5043-2P	Leg Assembly- Mounting Right	
10		RD-5-9419-1P	Reciever Drier Assembly	74R2590

ITEM	NOTE	PART NO.	DESCRIPTION	CAT. NO.
11		RD-5-6690-0P	Relay-Sealed	71R1902
12		RD-4-4404-2P	Retainer- Fitting	
13		RD-4-5324-2P	Shroud Assembly-Fan	
14		RD-5-9577-0P	Switch- Pressure	71R6150
15		RD-4-5050-0P	Tube Assembly- Inlet #8	
16		RD-4-5052-0P	Tube Assembly -#6	
17		RD-2-3524-1P	Tube Assembly - #6	
18	A	RD-5-8636-0M	Bracket- Mounting	
20	B	RD-5-8785-5P	Fan/Motor Assembly- Puller	73R8594
22	B	RD-5-6693-0P	Relay	71R1904

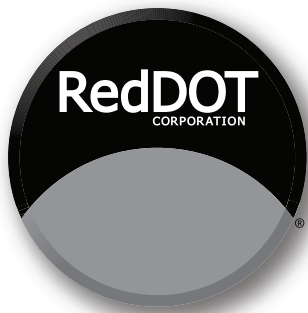
NOTES: A= Not shown B= 24 volt system

RED DOT CORPORATION

P.O.Box 58270 Seattle, WA 98138 (206) 575-3840 AMCustomerService@RedDotCorp.com

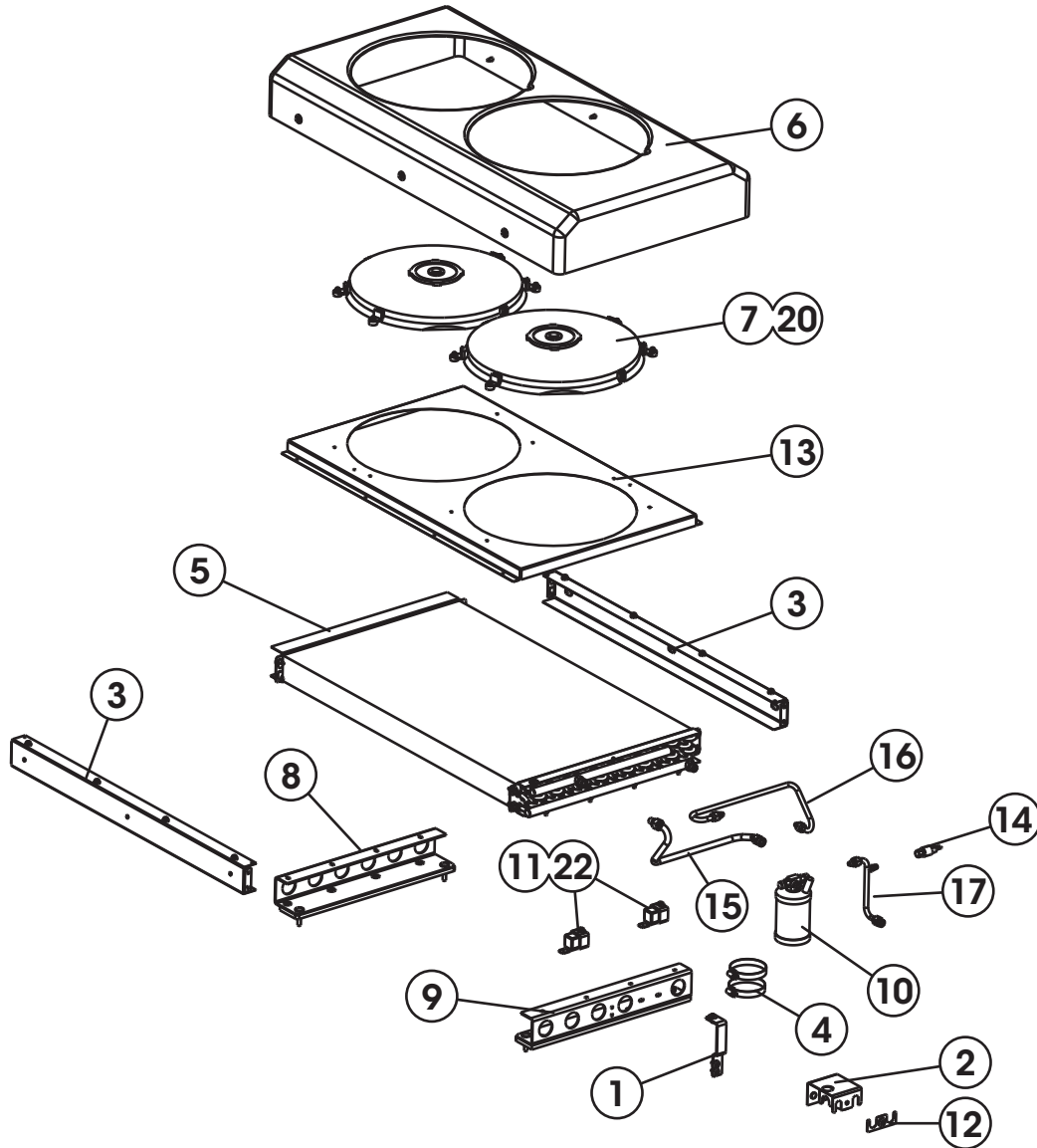
RD-4-5198-0 (REV E)

FOR REFERENCE ONLY. SUBJECT TO CHANGE WITHOUT NOTICE



Condenser Roofmount R-4500-8

SERVICE PARTS LIST



ITEM	NOTE	PART NO.	DESCRIPTION	CAT. NO.
1		RD-4-5047-1P	Bracket Assembly-Drier	
2		RD-4-5053-0P	Bracket Assembly-Support	
3		RD-4-5044-2P	Channel Assembly Cover	
4		RD-5-4035-52P	Clamp	70R5650
5		RD-4-5045-0P	Coil Assembly	77R0990
6		RD-4-5041-0P	Cover-Condenser	
7		RD-5-8785-4P	Fan/Motor Assembly- Puller	73R8592
8		RD-4-5042-1P	Leg Assembly- Mounting Left	
9		RD-4-5043-2P	Leg Assembly- Mounting Right	
10		RD-5-9419-1P	Reciever Drier Assembly	74R2590

ITEM	NOTE	PART NO.	DESCRIPTION	CAT. NO.
11		RD-5-6690-0P	Relay-Sealed	71R1902
12		RD-4-4404-2P	Retainer- Fitting	
13		RD-4-5324-2P	Shroud Assembly-Fan	
14		RD-5-9577-0P	Switch- Pressure	71R6150
15		RD-4-5050-0P	Tube Assembly- Inlet #8	
16		RD-4-5052-0P	Tube Assembly -#6	
17		RD-2-3524-1P	Tube Assembly - #6	
18	A	RD-5-8636-0M	Bracket- Mounting	
20	B	RD-5-8785-5P	Fan/Motor Assembly- Puller	73R8594
22	B	RD-5-6693-0P	Relay	71R1904

NOTES: A= Not shown B= 24 volt system

RED DOT CORPORATION

P.O.Box 58270 Seattle, WA 98138 (206) 575-3840 AMCustomerService@RedDotCorp.com

RD-4-5198-0 (REV E)

FOR REFERENCE ONLY. SUBJECT TO CHANGE WITHOUT NOTICE